



California Faucets®

# Decorative Grab Bar

BALL END WITH LINED BASE

## Features

- All brass construction
- 1-1/4" diameter bar
- Concealed mounting
- Mounting hardware included

9412D-33  
9418D-33  
9424D-33  
9430D-33  
9436D-33  
9442D-33  
9448D-33

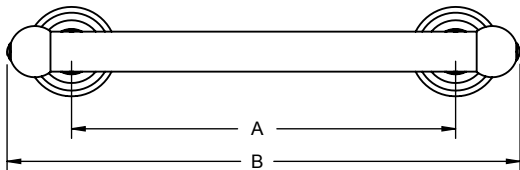


## Codes/Standards Applicable

Product meets or exceeds the following:

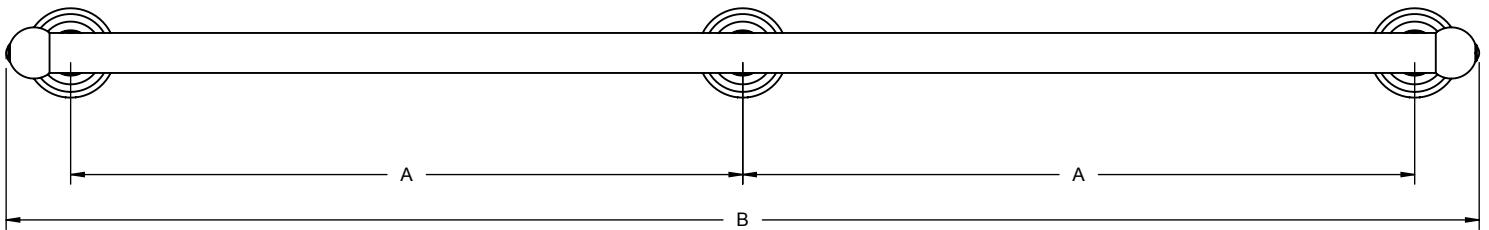
- ADA compliant

9418D-33 SHOWN

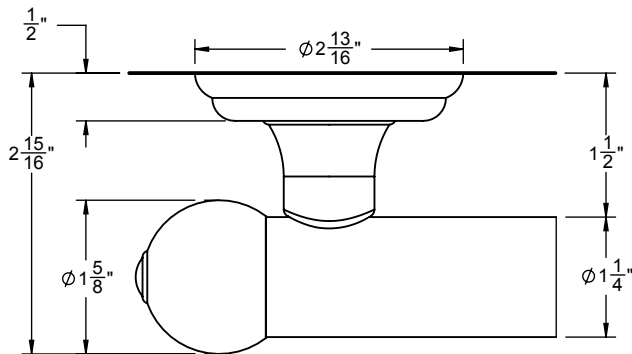


FRONT VIEW  
(2 POST)

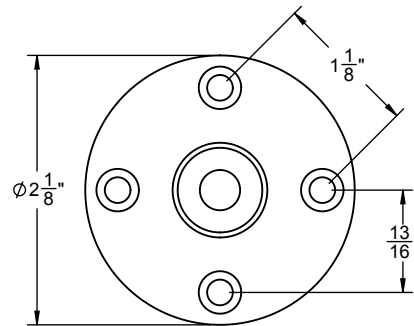
	DECORATIVE GRAB BAR	DIM. A	DIM. B
2 POST	9412D-33	12"	16 <sup>1</sup> / <sub>16</sub> "
	9418D-33	18"	22 <sup>1</sup> / <sub>16</sub> "
	9424D-33	24"	28 <sup>1</sup> / <sub>16</sub> "
	9430D-33	30"	34 <sup>1</sup> / <sub>16</sub> "
	9436D-33	36"	40 <sup>1</sup> / <sub>16</sub> "
3 POST	9442D-33	21"	46 <sup>1</sup> / <sub>16</sub> "
	9448D-33	24"	52 <sup>1</sup> / <sub>16</sub> "



FRONT VIEW  
(3 POST)



TOP VIEW



WALL MOUNT FLANGE

- (8X) - 2 POST GRAB BAR  
#8 X 1-3/4" PHILLIPS HEAD SCREW
- (12X) - 3 POST GRAB BAR  
#8 X 1-3/4" PHILLIPS HEAD SCREW

SPECIFICATIONS SUBJECT TO CHANGE WITHOUT NOTICE

ALL DIMENSIONS SHOWN TO NEAREST 1/16"